

TEAC

SERVICE MANUAL

CT-M4801

20" CTV

Effective: March, 1996.

CTM4801SERV

SPECIFICATION

SYSTEM	:	PAL-B/G	
DESTINATION	:		
CHANNEL	:	2 - 4	CI
COVERAGE	:	5 - 12	CI
	:	21 - 69	CI
FREQUENCY	:	48.25 - 62.25	MHz
RANGE	:	175.25 - 224.25	MHz
	:	471.25 - 855.25	MHz
SCANNING	:	625	LINES
	:	15625	Hz
	:	50	Hz
IF FREQUENCY	:		
	:	38.9	MHz
	:	33.4	MHz
VISION/SOUND SEPARATION	:	5.5	MHz
SENSITIVITY	:		
	:	32	uV
	:	56	uV
	:	80	uV
OUTPUT POWER MAXIMUM	:	1300	mW
	:	1000	mW
CRT	:	20" (35.5cm) DIAGONAL, 22.5 mm NECK DIAMETER 90° DEFLECTION ANGLE	
SPEAKER	:	4" 8 OHM 3W X 2	
ANTENNA IMPEDANCE	:	75 OHM	
POWER CONSUMPTION	:	75 Watts	

VIF ALIGNMENT

A. Preparation Step (See Fig. 1)

- (i) Connect AGC bias voltage to TP101, the DC supply should be turned off this time
- (ii) Connect 14V B+ bias voltage to D404 (-) and Ground.
- (iii) Connect 14V B+ to Q401 'C'
- (iv) Connect sweep generator to tuner test point and Ground.
- (v) Connect waveform detector to TP106 and Ground.

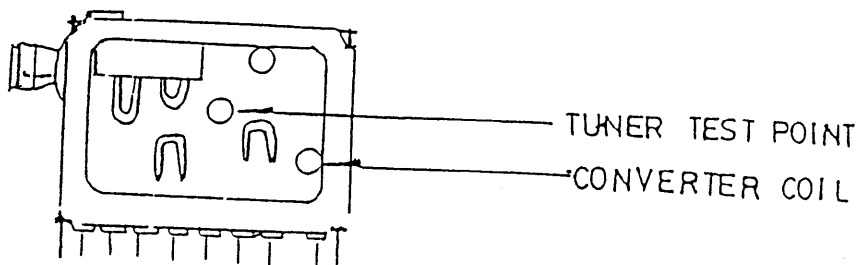
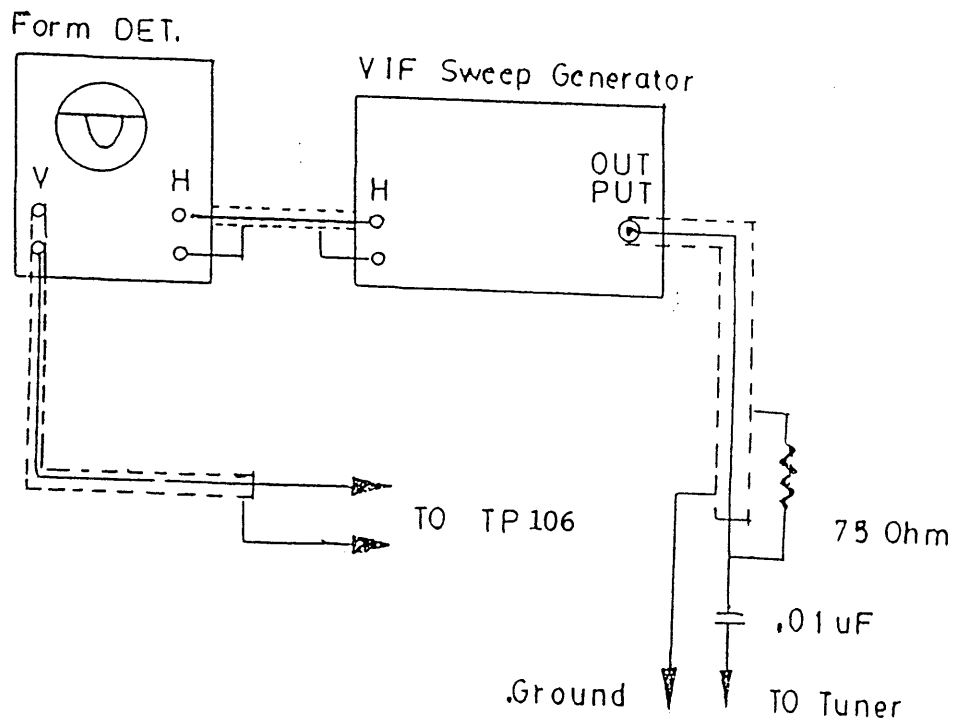


Fig.1

B. Tank Coil Alignment Step (See Fig. 2)

- (i) Calibrate the Division of waveform Detector equal to 100 mV per div.
- (ii) The output of sweep generator should be -50dB.
- (iii) Adjust AGC bias until the output waveform equal to 1V p.p. (10 div.)

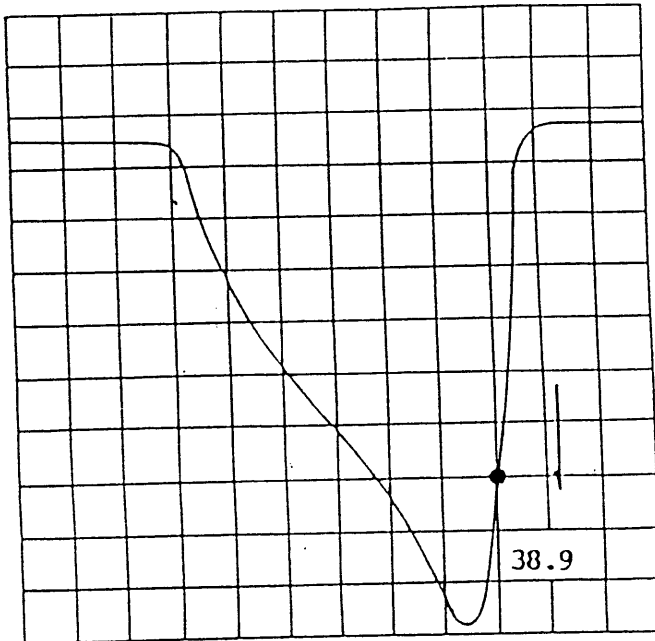


Fig. 2

- (v) Turn T101 until the marker 38.9MHz falls to the lowest point as Fig.2.

C. VIF Alignment

- (i) Connect 100 ohm resistor between TP103 and TP104.
- (ii) Adjust T104 until obtain the maximum waveform amplitude. (If Provided.)
- (iii) Adjust AGC bias, and maintain the waveform achieve 1V pp.

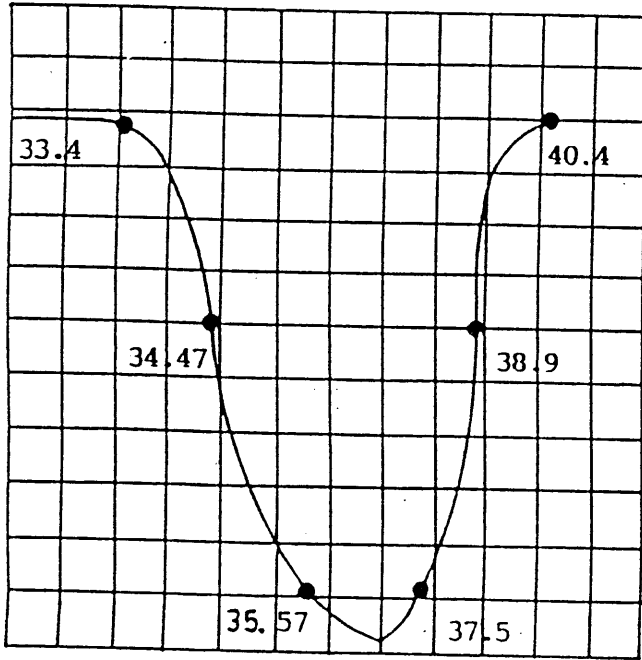


Fig.3

D. AFC Alignment

- (i) Remove the 100 ohm resistor from TP103 and P104.
- (ii) Connect Philips Pattern Generator to tuner test point (IF PIN) and Ground (Frequency is 38.9 MHz color bar).
- (iii) Connect digital multimeter to TP102.
- (iv) Adjust T103 to obtain a DC4V $\pm 0.1V$.

B. SIF Alignment

- (i) Connect the sweep generator to TP106.
- (ii) Connect waveform detect to TP105.
- (iii) The output of sweep generator should be -20dB.
- (iv) Adjust T102 to obtain the waveform as Fig.5.

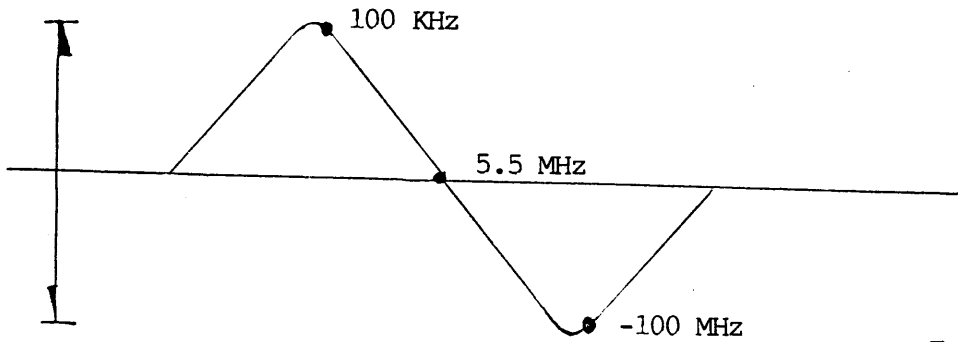


Fig.5

B+ ADJUSTMENT

- 1) Connect a digital volt meter to TPB+ and ground.
- 2) Set Brightness, contrast and colour to maximum.
- 3) Adjust VR901 and obtain a reading of 112V.

HORIZONTAL CIRCUIT ADJUSTMENT

- 1) Receive Monoscope Pattern input signal 80dBuV.
- 2) Connect terminal 20 PIN of IC401 and the ground with the Mylar Cap. 0.1 MFD.
- 3) Adjust VR404 to obtain the picture running at center.
- 4) Adjust VR405 to obtain the picture at center.

VERTICAL HOLD ADJUSTMENT

- 1) Receive the Monoscope Pattern.
- 2) Connect a digital voltage meter to IC401 PIN "2" and ground.
- 3) Adjust (VR401) and obtain a reading of $2.4V \pm 0.05V$ DC.

VERTICAL CIRCUIT ADJUSTMENT

- 1) Receive the Monoscope Pattern.
- 2) Adjust V-size (VR402) to obtain a normal picture.

SUB-BRIGHTNESS ALIGNMENT

- 1) Receive a color bar pattern.
- 2) Turn the brightness, contrast and color to minimum.
- 3) Connect a digital voltage meter to TP301 and ground.
- 4) Adjust (VR303) and obtain a reading of $1.8V \pm 0.05V$ DC.

WHITE BALANCE ALIGNMENT STEP

(deguss the picture by deguassing coil if necessary)

- 1) Turn the brightness, contrast and picture control to minimum value.
- 2) Turn VR501,502,504 to middle position. Turn VR503,505 to middle position.
- 3) Receive a black and white pattern.
- 4) Adjust screen volume on FBT until the brightest bar can just be seen.
- 5) Adjust VR501,504,503,505 to make the picture uniformly white.
(9300° K)

FOCUS ALIGNMENT

- 1) Set the brightness and contrast to middle position.
- 2) Receive a monoscope pattern.
- 3) Adjust focus control to obtain sharpest picture.

AGC ALIGNMENT

- 1) Receive CH69 (UHF) and input field strength in $63dB \pm 3dB$ input.
- 2) Adjust VR101 to the point where noise is disappeared.

PAL COLOUR ALIGNMENT

- (1) Receive Philips Pattern.
- (2) Connect Oscilloscope to T301.
- (3) Set color control to maximum position.
- (4) Adjust T301 and VR302,307 to obtain the waveform as Fig.6.
- (5)

REDUCE THE DIFFERENCE
TO MINIMUM (ADJUST VR307)

REDUCE THE DIFFERENCE TO
MINIMUM (ADJUST T301)

REDUCE THE DIFFERENC
YO MINIMUM (ADJUST
VR302)

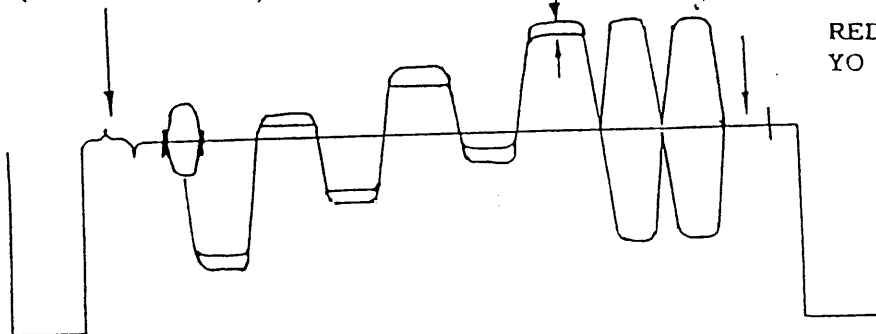


Fig.6

VOLTAGE TABLE FOR IC

SYMBOL		IC 601	IC 701
PIN NO.		(V)	(V)
1		0	0
2		0	2.6
3		0	2.6
4		0	2.6
5		4.7	2.6
6		4.7	2.6
7		4.7	2.6
8		4.7	2.6
9		4.7	0
10		GND	0
11		0.5	2.6
12		0.5	0
13		0.5	0
14		0.18	0
15		2.5	0
16		GND	0
17		4.4	0
18		5.46	0
19		4.4	0
20		GND	2.6
21		4.4	
22		4.4	
23		4.4	
24		4.7	
25		1.8	
26		2.6	
27		4.7	
28		4.7	
29		0	
30		0.2	
31		0.2	
32		0.2	
33		4.2	
34		4.7	
35		0	
36		0-4.6	
37		0-2.3	
38		0-2.6	
39		4	
40		4.7	

NOTE: VOLTAGE ARE TAKEN UNDER TUNED CONDITION WITH

- CONTRAST : Maximum Position
- BRIGHTNESS : Maximum Position
- COLOR : Maximum Position
- SIGNAL INPUR : 80 dBuV
- CHANNEL SETTING : The Last Channel of UHF High
- SIGNAL PATTERN : Colour Bar

VOLTAGE TABLE FOR IC

SYMBOL PIN NO.	IC 101 (V)	IC 201 (V)	IC 301 (V)	IC 401 (V)
1	0.49	GND	2.7-3.6	8.72
2	3	7.1	6.8	2.2
3	8.5	15	2.8	25
4	GND	14.65	1.2	8
5	3.6	1.15	1.6-2	GND
6	3.6	6.8	2	GND
7	GND	3-7.15	8.5	0.5
8	2.6	2.75	2.6	0.17
9	3	GND	1.5-4.5	25
10	5.9		2.6	13.5
11	2.9		GND	4.56
12	2.9		2.1	4.51
13	GND		6.25	2.17
14	2.9		3.45	2.35
15	6		GND	GND
16	3.2		4.3	GND
17	0.1		3.56	1.47
18	4.7		3.49	1.46
19	4.7		3.37	1.21
20	3.5		8.5	2.2

NOTE: VOLTAGE ARE TAKEN UNDER TUNED CONDITION WITH

CONTRAST : Maximum Position
 BRIGHTNESS : Maximum Position
 COLOR : Maximum Position
 SIGNAL INPUT : 80 dBuV
 CHANNEL SETTING : The Last Channel of UHF High
 SIGNAL PATTERN : Colour Bar

VOLTAGE TABLE FOR TRANSISTOR							
	B (V)	C (V)	E (V)		B (V)	C (V)	E (V)
Q001	4.1	12.4	3.5	Q506	2.2	8.5	3.5
Q002	8.5	0	2.8	Q603	5.4	14	4.7
Q003	1.3V	0	2V	Q604	0	4.7	0
Q004	0.1	8.2	0	Q608	0.6	0	0
Q005	0.1V	0.1V	0	Q609	0	4.7	4.4
Q101	11.6	12.3	12.4	Q701	0	2.6	0
Q102	11.6	12.3	12.4	Q702	2.6	-1.8	2.6
Q103	11.6	12.3	12.4	Q901	9.1	12.9	8.4
Q104	1.1	9	0.3	Q903	0	1.2	0
Q105	0	9.2V	0	Q904	-2.5	291	0
Q106	0.6	0-31	0	Q905	112	112	111
Q107	3.1	8.2	2.5	Q906	111	112	112
Q201	16.1	15.6	15.4	Q907	5.4	0	1.7
Q401	10.2	12.4	9.5V				
Q402	0	79	0				
Q403	0	77V	0				
Q501	3.6	118	3				
Q502	3.6	105	3				
Q503	3.4	122	2.8				
Q504	2.2	8.5	3.5				
Q505	2.2	8.5	3.5				

NOTE: VOLTAGE ARE TAKEN UNDER TUNED CONDITION WITH

CONTRAST : Maximum Position
 BRIGHTNESS : Maximum Position
 COLOR : Maximum Position
 SIGNAL INPUT : 80 dBuV
 CHANNEL SETTING : The Last Channel of UHF High
 SIGNAL PATTERN : Colour Bar

Print Date : 03/28/96
Page Number : 1

<< B.O.M. PRICE LIST FOR CUSTOMER >> - CURRENCY (USD)

PRODUCT CODE : 9320T1-280002-TV
DESCRIPTION : GT-9320A TEAC PAL/BG W/AV IN M.BLK 240V SAA "SGS IC

ASSEMBLY NUMBER	DESCRIPTION
155-921304-00-08	HANDSET ASS'Y R/C:9213 TEAC (A) DESIGN
180-9320T1-28-02	NON-COM PART ASS'Y (MDL:9320A PAL/BG W/
180-9320T1-28-CP	COM PART ASS'Y (MDL:9320A PAL/BG W/AV IN

** THIS SPARE LIST IS MADE FOR TECHNICAL / MAINTENANCE REFERENCE ONLY **

** THIS SPARE LIST IS MADE FOR TECHNICAL / MAINTENANCE REFERENCE ONLY **

Print Date : 03/28/96 PRODUCT CODE : 9320T1-280002-TV
 Page Number : 2 DESCRIPTION : GT-9320A TEAC PAL/BG W/AV IN M.BLK 240V SAA "SGS IC"

Component Part	Description / Location

*** ASSEMBLY :	155-921304-00-08 HANDSET ASS'Y R/C:9213 TEAC (A) DESIGN
107-800455-46	455K HZ RESONATOR CSB455EB MURATA X701
113-100005-17	CARBON FILM RESISTOR 10 OHM 1/16W +-5% R701
113-103005-17	CARBON FILM RESISTOR 10K OHM 1/16W +-5% R703
113-229005-17	CARBON FILM RESISTOR 2.2 OHM 1/16W +-5% R702
113-330005-17	CARBON FILM RESISTOR 33 OHM 1/16W +-5% R704
123-101350-60	CERAMIC CAP. 100 PF 50V +-10% (SL TYPE) C702,703
127-476042-03	ELECT. CAP. 47 MFD 16V +-20% C701
130-134148-01	SILICON DIODE .IN4148 D701,702
130-600101-00	INFRARED EMITTER EL-1L1 KODENSHI LED 701
131-210719-29	TRANSISTOR 2SA719R/S MATSUSHITA Q702
131-230945-00	TRANSISTOR 2SC945 NEC Q701
133-830041-31	IC M3004LAB1 (SGS) IC701
172-626010-42	UL 1007 TOP COAT WIRE AWG 26 100MM RED 10 X 10MM FOR REMOTE P.C.B. '+' TO BATTERY CONTACT PLATE '+'
172-626012-40	UL 1007 TOP COAT WIRE AWG 26 120MM BLACK 10 X 10 MM FOR REMOTE P.C.B. '-' TO BATTERY CONTACT PLATE '-'
172-726000-99	BARE WIRE 54MM W701,702
190-921306-02	REMOTE P.C.B.
514-260410-00	SELF-TAPPING SCREW 2.6 X 10 B/T (HARDEN) CAB. MTG.
774-931301-00	BATTERY SPRING (+-)
774-931302-00	BATTERY SPRING (+)
774-931303-00	BATTERY SPRING (-)
810-040904-13	POLYBAG 4" X 9" X 0.04MM W/ RE-CYCLING MARK FOR HANDSET
849-921302-00	CONTACT RUBBER KEY PAD (24 KEYS)
892-921302-04	DIAL KEY PLATE - ENG STD (24 KEYS) "47 PROG."
900-921311-58	HANDSET TOP CABINET - TEAC (A)DESIGN 9213 W/RC-617 WORDING
902-921311-01	HANDSET BOTTOM CAB. - BLACK MOULDED (3A)
910-921301-01	BATTERY DOOR (3A)
964-921301-01	SENSOR LENS

** THIS SPARE LIST IS MADE FOR TECHNICAL / MAINTENANCE REFERENCE ONLY **

Print Date : 03/28/96 PRODUCT CODE : 9320T1-280002-TV
 Page Number : 3 DESCRIPTION : GT-9320A TEAC PAL/BG W/AV IN M.BLK 240V SAA "SGS IC"

Component Part	Description / Location
*** ASSEMBLY :	180-9320T1-28-02 NON-COM PART ASS'Y (MDL:9320A PAL/BG W/
002-120001-46	CRT20" A48KRD82X09/A48KRD89X09(SOUTH HEMISPHERE CRT) SAMSUNG
003-131424-02	TUNER OSCAR UVE33-W24/R16-3649MITSUMI
	TUNER
107-738900-07	SAW FILTER TOSHIBA (F1044PS)
	SA101
160-102255-27	PIN CONNECTOR 2 PINS PLUG STRAIGHT (UL) (S.H.S)
	CN201, 202
166-183040-40	SPEAKER 4" 3W BOHM
171-550084-02	84" AC LINE CORD (END-CUT)SAA APPW/7.5A PLUG.
172-726000-99	BARE WIRE 54MM
	W104
179-105000-00	UL PVC TUBE 5MM DIA
	L=950MM ,400MM FOR SPK `L`,500MM FOR SPK `R`
186-227503-14	BATTERY 3A
191-200044-09	2 PIN SOCKET ASSM'Y L=440MM
	CN202 `2` TO SPK L `-',`1` TO SPK L `+'
191-200056-09	2 PIN SOCKET ASSM'Y L=560MM
	CN201 `2` TO SPK R `-',`1` TO SPK R `+'
610-932001-30	GIFT BOX - TEAC DESIGN
663-230057-96	SERIAL NO.LABEL - OC:GT-057/96
	1PC STUCK ON CTN , 1PC STUCK ON RATING LABEL
669-882001-1H	RATING LABEL - TEAC DESIGN 240V
670-932000-0L	I/MANUAL - TEAC DESIGN (47 PROG. SGS IC)
678-881303-06	TOTAL CARE STICKER - TEAC DESIGN (BLK & WHITE)
678-922109-01	EASY TUNE CARD - TEAC DESIGN
678-932004-05	SCREEN STICKER - TEAC DESIGN
690-922139-01	WARRANTY CARD- TEAC (A) DESIGN
693-932001-13	EAN CODE LABEL - 9313060006747
800-932001-00	POLYFOAM - TOP LEFT
800-932002-00	POLYFOAM - TOP RIGHT
800-932003-00	POLYFOAM - BOTTOM LEFT
800-932004-00	POLYFOAM - BOTTOM RIGHT
810-052204-14	POLYBAG 5" X 22" X 0.04MM PO MAT W/RE-CYCLING MARK
	FOR AC LINE CORD
810-091504-13	POLYBAG 9" X 15" X 0.04MM W/ RE-CYCLING MARK
	FOR I/MANUAL
826-301605-00	FOAM SHEET 30" X 16" X 0.5MM THK.
	FOR TOP UNIT
826-302005-00	FOAM SHEET 30" X 20" X 0.5MM THK.
	FOR BOTTOM UNIT
884-932016-01	PRESET PLATE - BLK W/L.GREY SS(10 KEYS)
884-932024-01	JACK COVER - WHITE S.S. W/AV IN HOLE W/O 21 PIN
889-922002-00	DOOR LOCKER COVER PLATE
	FRONT CAB
900-932004-01	FRONT CABINET - MATT BLACK SPARY (W/NAME PLATE)
902-932004-01	BACK CABINET
905-932001-01	SPEAKER BOX - BLACK MOULDED W/BLACK SPRAY
917-932001-00	REMOTE LENS - T.RED

** THIS SPARE LIST IS MADE FOR TECHNICAL / MAINTENANCE REFERENCE ONLY **

Print Date : 03/28/96

PRODUCT CODE : 9320T1-280002-TV

Page Number : 4

DESCRIPTION : GT-9320A TEAC PAL/BG W/AV IN M.BLK 240V SAA "SGS IC"

Component Description / Location
Part

919-932001-33 PRESET DOOR - TEAC DESIGN (W/ CABLE READY WORDING)

930-932002-10 FRONT PANEL - TEAC DESIGN

954-931301-00 STUD POST BLACK ABS

FOR FRONT CAB.

986-882801-09 NAME PLATE - TEAC DESIGN

991-932001-01 POWER KNOB - BLACK MOULDED

** THIS SPARE LIST IS MADE FOR TECHNICAL / MAINTENANCE REFERENCE ONLY **

Print Date : 03/28/96 PRODUCT CODE : 9320T1-280002-TV
 Page Number : 5 DESCRIPTION : GT-9320A TEAC PAL/BG W/AV IN M.BLK 240V SAA "SGS IC"

Component Description / Location
 Part

 *** ASSEMBLY : 180-9320T1-28-CP COM PART ASS'Y (MDL:9320A PAL/BG W/AV IN

001-220027-07	FLYBACK TRANSFORMER FCM20B027 SAMSUNG T402	
008-550201-05	DEGAUSSING COIL 60T 44MM X 34 MM (W/FIVE LAYERS OF TAPE) L903	
012-102340-06	SEMI-FIXED RESISTOR EVND8AA 03B13 1KB VR901	
012-103340-06	SEMI-FIXED RESISTOR EVND8AA 03B14 10KB VR101	
012-202340-06	SEMI-FIXED RESISTOR EVND8AA 03B23 2KB VR302	
012-203340-06	SEMI-FIXED RESISTOR EVND8AA 03B24 20KB VR404,405	
012-204340-06	SEMI-FIXED RESISTOR EVND8AA 03B25 200KB VR303,401	
012-301330-06	SEMI-FIXED RESISTOR EVND2AA 03B32 300B VR503,505	
012-501340-06	SEMI-FIXED RESISTOR EVND 8AA 03B52 500B VR402	
012-502330-06	SEMI-FIXED RESISTOR EVND2AA 03B53 5KB VR501,502,504	
012-502340-06	SEMI-FIXED RESISTOR EVND8AA 03B53 5KB VR307	
013-100004-00	GLASS DELAY LINE ENF-650A11-0 WEI HAW DLY302	
013-200005-00	Y-DELAY LINE YBL50F18X DLY301	
101-190710-96	HORIZONTAL DRIVE TRANSFORMER R0710 T401	
101-288820-95	LINE FILTER 70MH L901	
101-414025-94	SWITCHING POWER TRANSFORMER (HL4025B) T901	
102-370600-02	TANK COIL / AFC COIL COILS 707851 T103,101	
102-670100-02	SOUND IF COILS 707532 T102	
102-770200-02	SECAM COLOR PAL DELAY LINE MATCHING COILS 707850 T301	
105-100101-02	FIXED INDUCTIVE COIL 10UH +-10% L105	
105-109101-02	FIXED INDUTIVE COIL 1.0 UH 10% L109,102	
105-150101-02	FIXED INDUCTIVE COIL 15UH 10% L401,104	
105-180101-02	FIXED INDUTIVE COIL 18 UH +-10% L302	
105-181101-02	FIXED INDUCTIVE COIL 180UH 10% L501	

** THIS SPARE LIST IS MADE FOR TECHNICAL / MAINTENANCE REFERENCE ONLY **

Print Date : 03/28/96 PRODUCT CODE : 9320T1-280002-TV
 Page Number : 6 DESCRIPTION : GT-9320A TEAC PAL/BG W/AV IN M.BLK 240V SAA "SGS IC"

Component Part	Description / Location
105-201106-02	CHOKE COIL 200UH 10% CH9012- 201K (ELEC PRODUCT) L903
105-270103-08	FIXED INDUCTIVE COIL 27UH L601
105-650052-13	LINEARITY COIL 65UH FOR 20" CRT L402
105-689101-02	FIXED INDUCTIVE COIL 6.8UH 10% L301
105-828103-02	FIXED INDUCTIVE COIL 0.82UH 10% AXIAL TYPE L101
107-105500-66	SOUND TRAP CERAMIC FILTER 5.5MHZ TPS-5.5MB MURATA CF102
107-305500-16	SOUND BYPASS CERAMIC FILTER 5.5MHZ SFE-5.5MB MURATA CF101
107-808000-66	RESONATOR 8MHZ X601
113-101105-17	CARBON FILM RESISTOR 100 OHM 1/4W +-5% R314,316,318,438
113-101205-12	CARBON FILM RESISTOR 100 OHM 1/2W +-5% R649
113-102105-17	CARBON FILM RESISTOR 1K OHM 1/4W +-5% R140,125,134,114,432,669,326,004,006,009,301
113-102205-12	CARBON FILM RESISTOR 1K OHM 1/2W +-5% R405
113-102305-75	METAL OXIDE FILM RESISTOR 1K OHM 1W +-5% R411
113-103105-17	CARBON FILM RESISTOR 10K OHM 1/4W +-5% R418,908,349,129,309,010,013,005,012
113-103105-17	CARBON FILM RESISTOR 10K OHM 1/4W +-5% R130,120,118,640,617,122,104,109,110,108
113-104105-17	CARBON FILM RESISTOR 100K OHM 1/4W +-5% R422,429,642,634,119,681,682,CF103
113-104205-12	CARBON FILM RESISTOR 100K OHM 1/2W +-5% R923
113-104305-75	METAL OXIDE FILM RESISTOR 100KOHM 1W +-5% R921
113-109205-12	CARBON FILM RESISTOR 1 OHM 1/2W +-5% R410
113-120305-75	METAL OXIDE FILM RESISTOR 12 OHM 1W +-5% R911
113-120405-75	METAL OXIDE FILM RESISTOR 12 OHM 2W +-5% R920
113-120505-75	METAL OXIDE FILM RESISTOR 12 OHM 3W +-5% R414
113-121105-17	CARBON FILM RESISTOR 120 OHM 1/4W +-5% R648
113-122105-17	CARBON FILM RESISTOR 1.2K OHM 1/4W +-5% R407,303,665
113-123105-17	CARBON FILM RESISTOR 12K OHM 1/4W +-5% R436,441

** THIS SPARE LIST IS MADE FOR TECHNICAL / MAINTENANCE REFERENCE ONLY **

Print Date : 03/28/96 PRODUCT CODE : 9320T1-280002-TV
Page Number : 7 DESCRIPTION : GT-9320A TEAC PAL/BG W/AV IN M.BLK 240V SAA "SGS IC"

Component Part	Description / Location
113-123405-75	METAL OXIDE FILM RESISTOR 12K OHM 2W +-5% R510,511,505
113-124105-17	CARBON FILM RESISTOR 120K OHM 1/4W +-5% R612
113-151105-17	CARBON FILM RESISTOR 150 OHM 1/4W +-5% R307,116,001,017
113-152105-17	CARBON FILM RESISTOR 1.5K OHM 1/4W +-5% R419,310,304
113-153105-17	CARBON FILM RESISTOR 15K OHM 1/4W +-5% R650,302,014,320,321,668
113-154105-17	CARBON FILM RESISTOR 150K OHM 1/4W +-5% R671
113-154205-12	CARBON FILM RESISTOR 150K OHM 1/2W +-5% R415
113-159405-75	METAL OXIDE FILM RESISTOR 1.5 OHM 2W +-5% R501
113-182105-17	CARBON FILM RESISTOR 1.8K OHM 1/4W +-5% R907,312,126
113-183105-17	CARBON FILM RESISTOR 18K OHM 1/4W +-5% R657,313
113-184105-17	CARBON FILM RESISTOR 180K OHM 1/4W +-5% R618
113-202605-75	METAL OXIDE FILM RESISTOR 2K OHM 5W +-5% R413
113-203105-17	CARBON FILM RESISTOR 20K OHM 1/4W +-5% R325
113-204105-17	CARBON FILM RESISTOR 200K OHM 1/4W +-5% R408
113-221105-17	CARBON FILM RESISTOR 220 OHM 1/4W +-5% R423,117,666
113-221205-12	CARBON FILM RESISTOR 220 OHM 1/2W +-5% R406
113-222105-17	CARBON FILM RESISTOR 2.2K OHM 1/4W +-5% R206,513,509,507,514,515,516,008
113-223105-17	CARBON FILM RESISTOR 22K OHM 1/4W +-5% R435,428,137,635,606
113-224105-17	CARBON FILM RESISTOR 220K OHM 1/4W +-5% R207,107
113-229105-17	CARBON FILM RESISTOR 2.2 OHM 1/4W +-5% R208,404
113-229405-75	METAL OXIDE FILM RESISTOR 2.2 OHM 2W +-5% R902,201
113-243105-17	CARBON FILM RESISTOR 24K OHM 1/4W +-5% R305
113-270105-17	CARBON FILM RESISTOR 27 OHM 1/4W +-5% R115
113-270405-75	METAL OXIDE FILM RESISTOR 27 OHM 2W +-5% R912
113-272105-17	CARBON FILM RESISTOR 2.7K OHM 1/4W +-5% R319,317,315,426,623

** THIS SPARE LIST IS MADE FOR TECHNICAL / MAINTENANCE REFERENCE ONLY **

Print Date : 03/28/96 PRODUCT CODE : 9320T1-280002-TV
 Page Number : 8 DESCRIPTION : GT-9320A TEAC PAL/BG W/AV IN M.BLK 240V SAA "SGS IC"

Component Part	Description / Location
113-272205-12	CARBON FILM RESISTOR 2.7K OHM 1/2W +-5% R922,412,503,502,504
113-273101-67	METAL FILM RESISTOR 27K OHM 1/4W +-1% R151
113-273105-17	CARBON FILM RESISTOR 27K OHM 1/4W +-5% R425,138
113-274105-17	CARBON FILM RESISTOR 270K OHM 1/4W +-5% R619,451
113-303105-17	CARBON FILM RESISTOR 30K OHM 1/4W +-5% R123
113-330105-17	CARBON FILM RESISTOR 33 OHM 1/4W +-5% R433
113-331105-17	CARBON FILM RESISTOR 330 OHM 1/4W +-5% R905
113-332105-17	CARBON FILM RESISTOR 3.3K OHM 1/4W +-5% R904,403,128
113-333105-17	CARBON FILM RESISTOR 33K OHM 1/4W +-5% R670,660,676,003
113-334105-17	CARBON FILM RESISTOR 330K OHM 1/4W +-5% R658,401,686
113-334305-75	METAL OXIDE FILM RESISTOR 330KOHM 1W +-5% R913
113-338405-75	METAL OXIDE FILM RESISTOR 0.33OHM 2W +-5% R914
113-390605-75	METAL OXIDE FILM RESISTOR 39 OHM 5W +-5% R915
113-391105-17	CARBON FILM RESISTOR 390 OHM 1/4W +-5% R506,508,450
113-471105-17	CARBON FILM RESISTOR 470 OHM 1/4W +-5% R654,127,007
113-472105-17	CARBON FILM RESISTOR 4.7K OHM 1/4W +-5% R910,602,603,601,427,139,672,673,674,016,011
113-472105-17	CARBON FILM RESISTOR 4.7K OHM 1/4W +-5% R607,605,653,604,638,662,663,664
113-475105-17	CARBON FILM RESISTOR 4.7M OHM 1/4W +-5% R322,323,324
113-479105-17	CARBON FILM RESISTOR 4.7 OHM 1/4W +-5% R160
113-479605-51	WIRE WOUND CEMENT RES. 4.7 OHM5W +-5% R901
113-511105-17	CARBON FILM RESISTOR 510 OHM 1/4W +-5% R512
113-512105-17	CARBON FILM RESISTOR 5.1K OHM 1/4W +-5% R205
113-514105-17	CARBON FILM RESISTOR 510K 1/4W+-5% R420
113-561105-17	CARBON FILM RESISTOR 560 OHM 1/4W +-5% R431
113-562105-17	CARBON FILM RESISTOR 5.6K OHM 1/4W +-5% R203,202,421,105,101,102,113,103,622,106

** THIS SPARE LIST IS MADE FOR TECHNICAL / MAINTENANCE REFERENCE ONLY **

Print Date : 03/28/96 PRODUCT CODE : 9320T1-280002-TV
 Page Number : 9 DESCRIPTION : GT-9320A TEAC PAL/BG W/AV IN M.BLK 240V SAA "SGS IC"

Component Part	Description / Location
113-563105-17	CARBON FILM RESISTOR 56K OHM 1/4W +-5% R136,671,002
113-565205-92	CARBON COMPOSITION RESISTOR 5.6M 1/2W +-5% R916,917
113-680405-75	METAL OXIDE RESISTOR 68 OHM 2W +-5% R442
113-681105-17	CARBON FILM RESISTOR 680 OHM 1/4W +-5% R402,124
113-682105-17	CARBON FILM RESISTOR 6.8K OHM 1/4W +-5% R909,903,153
113-688205-42	FUSING RESISTOR 0.68 OHM 1/2W +-5% R918,919
113-688305-42	FUSING RESISTOR 0.68 OHM 1W +-5% R417,416
113-820105-17	CARBON FILM RESISTOR 82 OHM 1/4W +-5% R112
113-821105-17	CARBON FILM RESISTOR 820 OHM 1/4W +-5% R639,610,609
113-822105-17	CARBON FILM RESISTOR 8.2K OHM 1/4W +-5% R906,204
113-822505-75	METAL OXIDE FILM RESISTOR 8.2KOHM 3W +-5% R132
113-823105-17	CARBON FILM RESISTOR 82K OHM 1/4W +-5% R409
114-210200-01	THERMISTOR (NICHICON ZPB53 BL 200C) TH901
123-100340-60	CERAMIC CAP. 10PF +-5% 50V (SL TYPE) C612
123-101340-93	CERAMIC CAP. 100PF 50V +-5% (NPO) C103
123-101350-60	CERAMIC CAP. 100 PF 50V +-10% (SL TYPE) C605
123-102850-10	CERAMIC CAP. 0.001 MFD 2KV +-10% MATSUSHITA C501
123-103370-90	CERAMIC CAP. 0.01 MFD 50V +80 -20% C402,304,125,122,118,115,116,114
123-104270-90	CERAMIC CAP. 0.1 MFD 25V +80 -20% C681
123-122551-90	CERAMIC CAP. 0.0012 MFD 500V +-10% (B TYPE) MATSUSHITA C433
123-150340-93	CERAMIC CAP. 15 PF 50V +-5% (NPO) C609,610,319
123-181350-60	CERAMIC CAP. 180 PF 50V +-10% (SL TYPE) C431,438
123-221350-60	CERAMIC CAP. 220 PF 50V +-10% (SL TYPE) C427
123-221551-90	CERAMIC CAP. 220 PF 500V +-10% MATSUSHITA C915
123-222350-90	CERAMIC CAP. 0.0022 MFD 50V +-10% (B TYPE) C601,607

** THIS SPARE LIST IS MADE FOR TECHNICAL / MAINTENANCE REFERENCE ONLY **

Print Date : 03/28/96 PRODUCT CODE : 9320T1-280002-TV
 Page Number : 10 DESCRIPTION : GT-9320A TEAC PAL/BG W/AV IN M.BLK 240V SAA "SGS IC"

Component Part	Description / Location
123-222466-41	CERAMIC CAP. 0.0022 MFD 400V +-20% ECK-DNS222MEX MATSUSHITA C912
123-222850-10	CERAMIC CAP. 0.0022 MFD 2KV +-10% MATSUSHITA C911
123-223370-90	CERAMIC CAP. 0.022 MFD 50V +80-20% C626,627,628
123-300340-93	CERAMIC CAP. 30 PF 50V +-5% (NPO) C602,603
123-302350-90	CERAMIC CAP. 0.003 MFD 50V +-10% (B TYPE) C005
123-331350-60	CERAMIC CAP. 330 PF 50V +-10% (SL TYPE) C502,503,504
123-390340-93	CERAMIC CAP. 39PF 50V +-5% (NPO) C604,121,303
123-470340-60	CERAMIC CAP. 47 PF 50V +-5% (SL TYPE) C123
123-471350-60	CERAMIC CAP. 470 PF 50V +-10% (SL TYPE) C126
123-472550-90	CERAMIC CAP. 0.0047 MFD 500V +-10% (B TYPE) C419,424,913
123-472552-90	CERAMIC CAP. 0.0047 MFD 500V +-10% (B TYPE) SMALL SIZE C903,904,907
123-821850-10	CERAMIC CAP. 820 PF 2KV +-10% (SL TYPE) MATSUSHITA C914,437
124-224061-03	TANTALIUM CAP. 0.22 MFD 35V +-10% C413
126-102071-01	MYLAR CAP. 0.001 MFD 50V +-10% C428
126-103071-01	MYLAR CAP. 0.01 MFD 50V +-10% C207,441
126-104071-01	MYLAR CAP. 0.1 MFD 50V +-10% C908,205,208,411,317,318,407,429,306,307,108,106
126-104071-01	MYLAR CAP. 0.1 MFD 50V +-10% C104,313,314,606
126-104101-31	POLYPROPYLENE CAP. 0.1 MFD 100V +-10% C440
126-153071-01	MYLAR CAP. 0.015 MFD 50V +-10% C422
126-222071-01	MYLAR CAP. 0.0022 MFD 50V +-10% C204,421,621
126-223071-01	MYLAR CAP. 0.022 MFD 50V +-10% C409
126-332071-01	MYLAR CAP. 0.0033 MFD 50V +-10% C316
126-332161-41	METALIZED POLYPROPYLENE CAP. 0.0033 MFD 1600V +-10% C435,436
126-333071-01	MYLAR CAP. 0.033 MFD 50V +-10% C906,124
126-334071-01	MYLAR CAP. 0.33 MFD 50V +-10% C403

** THIS SPARE LIST IS MADE FOR TECHNICAL / MAINTENANCE REFERENCE ONLY **

Print Date : 03/28/96 PRODUCT CODE : 9320T1-280002-TV
 Page Number : 11 DESCRIPTION : GT-9320A TEAC PAL/BG W/AV IN M.BLK 240V SAA "SGS IC"

Component Part	Description / Location
126-392071-01	MYLAR CAP. 0.0039 MFD 50V +-10% C426
126-473071-01	MYLAR CAP. 0.047 MFD 50V +-10% C315
126-473211-41	METALLIZED POLYPROPYLENE CAP 0.047 MFD 250V +-10% VDE C902
126-474071-01	MYLAR CAP. 0.47 MFD 50V +-10% C430
126-474201-31	POLYPROPYLENE CAP 0.47 MFD 200V +-10% C414
126-474211-41	METALLIZED POLYPROPYLENE CAP 0.47 MFD 250V +-10% VDE C901
126-562071-01	MYLAR CAP. 0.0056 MFD 50V +-10% C425
126-563071-01	MYLAR CAP. 0.056 MFD 50V +-10% C128
127-105072-03	ELECT. CAP. 1 MFD 50V +-20% C210,423,611,112,410
127-105132-03	ELECT. CAP. 1 MFD 160V +-20% C415,320
127-106042-03	ELECT. CAP. 10 MFD 16V +-20% C619,110,309,312,616,624,006,008,009
127-106072-03	ELECT. CAP. 10 MFD 50V +-20% C201
127-106104-03	ELECT CAP. 10 MFD 100V +-20% 105°C C910
127-106252-03	ELECT. CAP. 10 MFD 250V +-20% C420
127-107042-03	ELECT. CAP. 100 MFD 16V +-20% C408,119,310
127-107062-03	ELECT. CAP. 100 MFD 35V +-20% C202
127-107132-03	ELECT. CAP. 100 MFD 160V +-20%"NICHICON" C434
127-107402-03	ELECT. CAP. 100 MFD 400V +-20% C905
127-108052-03	ELECT. CAP. 1000 MFD 25V +-20% C211
127-225072-03	ELECT. CAP 2.2 MFD 50V +-20% C129,620,109
127-226042-03	ELECT. CAP. 22 MFD 16V +-20% C321,132,617,308
127-227042-03	ELECT. CAP. 220 MFD 16V +-20% C622,625
127-227062-03	ELECT. CAP. 220 MFD 35V +-20% C916,416
127-228042-03	ELECT. CAP. 2200 MFD 16V +-20% C412
127-228052-03	ELECT. CAP. 2200 MFD 25V +-20% C417

** THIS SPARE LIST IS MADE FOR TECHNICAL / MAINTENANCE REFERENCE ONLY **

Print Date : 03/28/96 PRODUCT CODE : 9320T1-280002-TV
 Page Number : 12 DESCRIPTION : GT-9320A TEAC PAL/BG W/AV IN M.BLK 240V SAA "SGS IC"

Component Part	Description / Location
127-336042-03	ELECT. CAP. 33 MFD 16V +-20% C001
127-336042-23	ELECT. CAP. BIPOLAR 33 MFD 16V+-20% C003,007
127-336132-03	ELECT CAP. 33 MFD 160V +-20% C918
127-474072-03	ELECT. CAP. 0.47 MFD 50V +-20% C206,203
127-475052-03	ELECT. CAP. 4.7 MFD 25V +-20% C305,107,113,117,111
127-476042-03	ELECT. CAP. 47 MFD 16V +-20% C401,618
127-476072-03	ELECT. CAP. 47 MFD 50V +-20% C406
127-476072-07	ELECT.CAP. 47 MFD 50V +-20% NICHICON C909
127-477042-03	ELECT. CAP. 470 MFD 16V +-20% C209,160,432
130-134148-01	SILICON DIODE IN4148 D101-103,604,301-303,408,501-503,606,608,612
130-134148-01	SILICON DIODE IN4148 D001,002,003,613
130-310012-00	RECTIFIER DIODE RU2 SANKEN D404
130-310156-00	BRIDGE RECTIFIER RB156 SANKEN BR901
130-311541-60	RECTIFIER DOIDE 1R5JU41 D904
130-314004-01	RECTIFIER DIODE 1N4004 D401,402
130-315295-00	RECTIFIER DIODE S5295G TOSHIBA D903,901,902,905,405,403,407
130-410039-01	ZENER DIODE 3.9V ZD101
130-410051-01	ZENER DIODE 5.1V 1/2W +-5% ZD601
130-410056-01	ZENER DIODE 5.6V ZD604
130-410082-01	ZENER DIODE 8.2V ZD901
130-410100-01	ZENER DIODE 10V 1/2W ZD403,405
130-410574-00	ZENER DIODE UPC 574J NEC OR KA33V SAMSUNG ZD102
130-411091-01	ZENER DIODE 9.1V ZD902,401,402
130-422120-00	ZENER DIODE 1W 12V ZD404,406
130-512044-00	LED 3MM RED 204HDC LED601

** THIS SPARE LIST IS MADE FOR TECHNICAL / MAINTENANCE REFERENCE ONLY **

Print Date : 03/28/96 PRODUCT CODE : 9320T1-280002-TV
 Page Number : 13 DESCRIPTION : GT-9320A TEAC PAL/BG W/AV IN M.BLK 240V SAA "SGS IC"

Component Part	Description / Location
131-211013-18	TRANSISTOR 2SA1013 (R) TOSHIBA Q906
131-211015-00	TRANSISTOR 2SA1015 TOSHIBA Q101,102,610,002,003,103
131-220774-20	TRANSISTOR 2SB774/Q/R/S MATSUSHITA Q907
131-230388-00	TRANSISTOR 2SC388A TOSHIBA Q104
131-230945-00	TRANSISTOR 2SC945 NEC Q604,504,505,506,105
131-231317-00	TRANSISTOR 2SC1317 MATSUSHITA Q603
131-231815-25	TRANSISTOR 2SC1815 TOSHIBA Q903,901,609,107,681,001,004,005,108
131-232230-00	NPN-TR 2SC2230A-Y (TOSHI) TO92VCE=180V IC=.1A HFE=120-240 Q608
131-232335-30	TRANSISTOR 2SC2335 L/K NEC Q905
131-232482-00	TRANSISTOR 2SC2482 TOSHIBA Q402,501,502,503
131-240400-00	TRANSISTOR 2SD400E/F SANYO Q201,401
131-241431-00	TRANSISTOR 2SD1431 TOSHIBA WITH MICA SHEET (24MM X 33MM) Q904
131-241555-00	TRANSISTOR 2SD1555 TOSHIBA Q403
131-462369-00	TRANSISTOR PH2369 PHILIPS Q106
133-108213-31	IC TDA8213 SGS IC101
133-108217-31	IC TDA8217 SGS IC301
133-201013-33	I.C. TDA1013B PHILIPS IC201
133-208214-31	IC TDA8214B SGS IC401
133-306356-31	IC ST6356 SGS IC601
136-500337-00	REMOTE RECEIVER (KODENSHI HC-337M) OPT601
137-443618-20	CRYSTAL 4.43 MHZ X301
146-100001-14	POWER SWITCH (ESB-99957S COST COST REDUCTION) S602
146-100002-13	TACT SWITCH KSM0634A HDK S601,603,604,605,606,612
146-104016-13	TACT SWITCH 31TM116A UNITRONIC S607,608,609,610
160-101001-08	PIN CONNECTOR 1 PIN PLUG STRAIGHT CN501,903,904

** THIS SPARE LIST IS MADE FOR TECHNICAL / MAINTENANCE REFERENCE ONLY **

Print Date : 03/28/96 PRODUCT CODE : 9320T1-280002-TV
 Page Number : 14 DESCRIPTION : GT-9320A TEAC PAL/BG W/AV IN M.BLK 240V SAA "SGS IC"

Component Part	Description / Location
160-102255-27	PIN CONNECTOR 2 PINS PLUG STRAIGHT (UL) (S.H.S) CN601
160-102805-08	PIN CONNECTOR 2 PIN PLUG STRAIGHT CN902
160-103805-08	PIN CONNECTOR 3 PIN PLUG STRAIGHT CN402
160-104805-08	PIN CONNECTOR 4 PIN PLUG STRAIGHT CN401
160-109255-27	PIN CONNECTOR 9 PINS PLUG CN301
161-470002-00	RCA JACK HYJ-032-03B BLACK "MING FUNG" J002
161-470003-00	RCA JACK HYJ-032-03Y YELLOW "MING FUNG" J001
161-540004-01	CRT SOCKET ISH-01 IN CHANG FOR CRT P.C.B.'
172-620005-40	UL 1007 TOP COAT WIRE AWG 20 50MM BLACK 5 X 5MM MAIN P.C.B. 'M TO 'M'
172-620007-40	UL 1007 TOP COAT WIRE #20 70MMBLACK 5 X 5 MM MAIN P.C.B. 'L' TO 'L'
172-620014-40	UL 1007 TOP COAT WIRE AWG 20 140MM BLACK 10 X 10 MM MAIN P.C.B. 'D' TO 'D'
172-626004-40	UL 1007 TOP COAT WIRE AWG 26 40MM BLACK 5 X 5 MM MAIN PCB 'R145' TO 'W184'
172-626008-40	UL 1007 TOP COAT WIRE AWG 26 80MM BLACK 10 X 10 MM Q904 LUG TO MAIN PCB 'I', MAIN PCB 'C' TO 'C'
172-626010-40	UL 1007 TOP COAT WIRE AWG 26 100MM BLACK 10 X 10 MM Q403 LUG TO MAIN P.C.B. 'E'
172-626012-40	UL 1007 TOP COAT WIRE AWG 26 120MM BLACK 10 X 10 MM MAIN PCB 'C126' GND TO R139,C126 TO R142
172-626014-43	UL 1007 TOP COAT WIRE AWG 26 140MM ORANGE 10 X 10 MM MAIN P.C.B. 'A' TO 'A'
172-626018-43	UL 1007 TOP COAT WIRE AWG 26 180MM ORANGE 10 X 10 MM MAIN P.C.B. 'B' TO 'B'
172-726000-99	BARE WIRE 54MM W093-095,097-102,105-112,114,116-129,131-138
172-726000-99	BARE WIRE 54MM W142-149,151-152,154-157,159-171,173-174,177-186
172-726000-99	BARE WIRE 54MM W189,191,193,195-196,198-201,203-208,211,215-218
172-726000-99	BARE WIRE 54MM W502,503,826,D610,R148
172-830080-99	FLAT BRIDED WIRE 1200MM FOR CRT GND
179-001010-00	OIL SLEEVING 1 MM DIA. FOR BR901,D904,404
182-233150-03	FUSE T3.15A 250V F901
190-882000-04	POWER SWITCH P.C.B. (270995)

** THIS SPARE LIST IS MADE FOR TECHNICAL / MAINTENANCE REFERENCE ONLY **

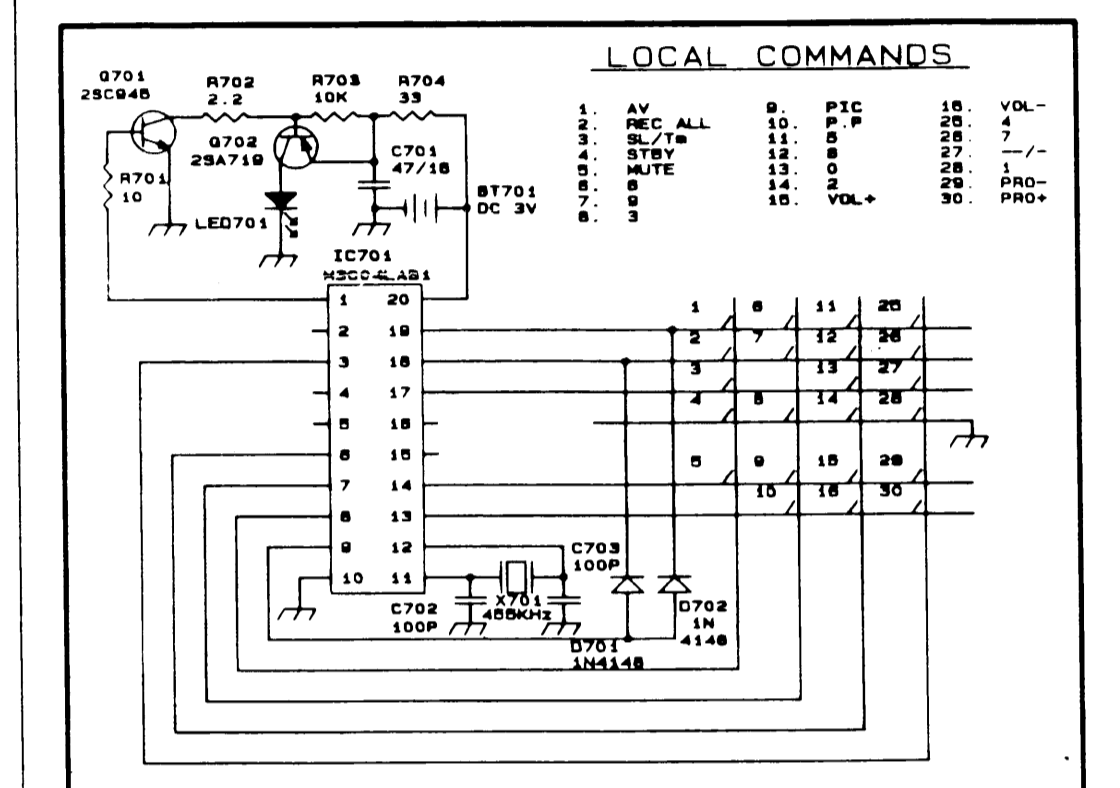
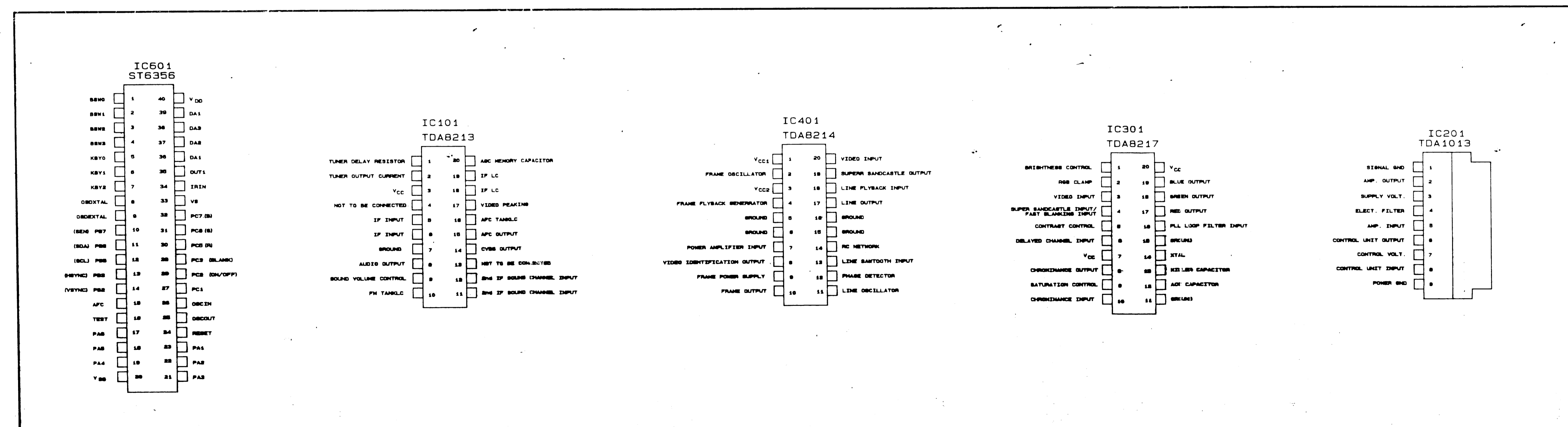
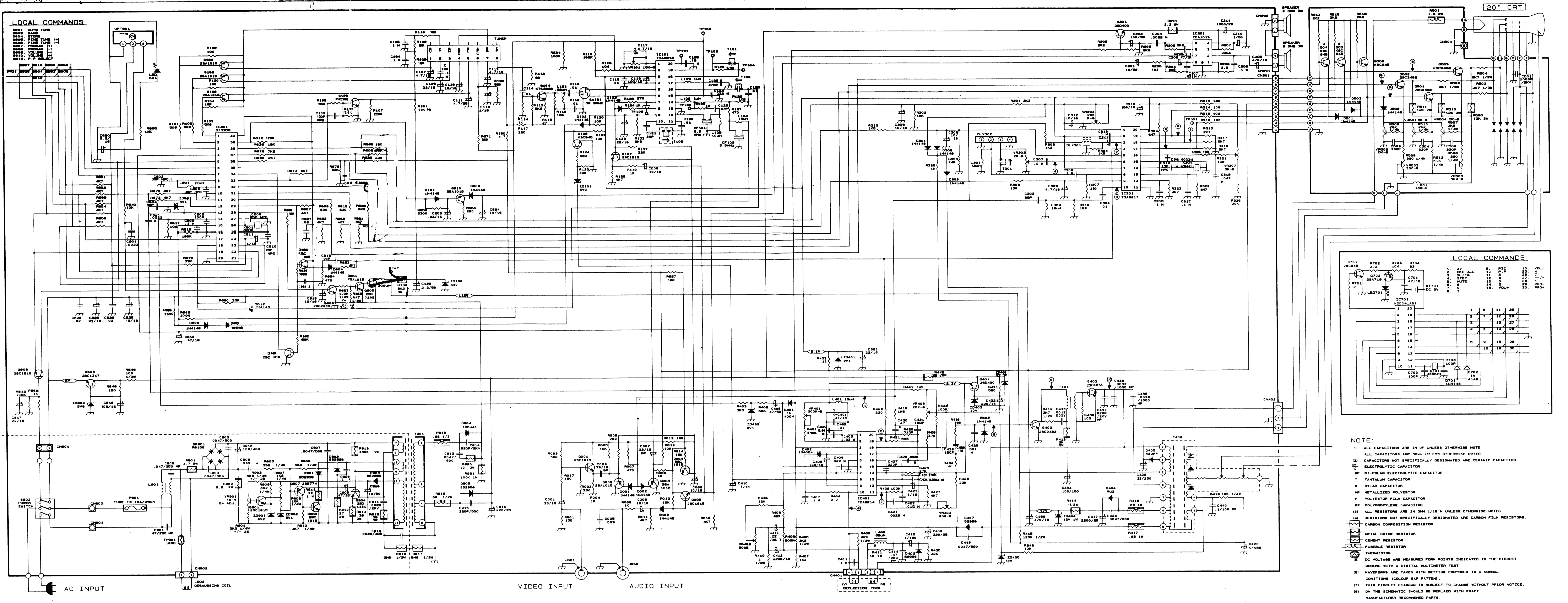
Print Date : 03/28/96 PRODUCT CODE : 9320T1-280002-TV
 Page Number : 15 DESCRIPTION : GT-9320A TEAC PAL/BG W/AV IN M.BLK 240V SAA "SGS IC"

Component Part	Description / Location
190-932001-00	CRT P.C.B. (140494)
190-93202N-XB	MAIN P.C.B. (120296)
191-100030-09	1 PIN SOCKET ASSM'Y L=300MM FOR CN501
191-100035-09	1 PIN SOCKET ASSM'Y L=400MM (DOUBLE INSULATION) BROWN FROM POWER SWITCH TO CN903
191-100036-09	1 PIN SOCKET ASSM'Y L=400MM (DOUBLE INSULATION) BLUE FROM POWER SWITCH TO CN904
191-201001-07	2 PINS SOCKET ASS'Y L=160MM FOR CN601 TO POWER SWITCH
191-300040-09	3 PIN SOCKET ASSM'Y CN402 '1' TO CRT P.C.B. 'K'
191-300040-09	3 PIN SOCKET ASSM'Y CN402 '2' TO CRT P.C.B. 'L'
191-300040-09	3 PIN SOCKET ASSM'Y CN402 '3' TO CRT P.C.B. 'J'
191-901001-07	9 PIN SOCKET ASS'Y L=460MM CN301 TO CRT PCB '1' TO 'A', '2' TO 'B', '3' TO 'C'
191-901001-07	9 PIN SOCKET ASS'Y L=460MM '4' TO 'D', '5' TO 'E', '6' TO 'F', '7' TO 'G'
191-901001-07	9 PIN SOCKET ASS'Y L=460MM '8' TO 'H', '9' TO 'I'
504-305006-10	MACHINE SCREW 3 X 6 B/M FOR POWER SWITCH BKT.MTG.
514-400414-10	SELF-TAPPING SCREW 4 X 14 B/T (HARDEN) FOR FLYBACK
514-400418-10	SELF-TAPPING SCREW 4 X 18 B/T (HARDEN) FOR SPK'R & REAR CAB MTG.
514-400420-10	SELF-TAPPING SCREW 4 X 20 B/T (HARDEN) FOR SPEAKER BOX AND FRONT CAB.
514-400425-10	SELF-TAPPING SCREW 4 X 25 B/T (HARDEN) FOR CAB FNT & REAR
515-303406-10	SELF-TAPPING SCREW 3 X 6 W/B/T (HARDEN) FOR SPEAKER MTG.
515-303408-10	SELF-TAPPING SCREW 3 X 8 W/B/T (HARDEN) 2-PUSH BUTTON,1-FRONT PANEL,2-SPEAKER MTG.
516-300415-10	SELF-TAPPING SCREW 3 X 15 B/T (HARDEN) FOR POWER SWITCH
517-303312-10	SELF-TAPPING SCREW 3 X 12 W/A W/H=7MM (HARDEN) FOR HEAT SINK (A) & (B)
524-932901-01	CRT MOUNTING SCREW 7 X 40 VP (HARDEN) FOR CRT MTG.
540-020040-01	BRASS EYELET 2X4MM FOR POWER SWITCH P.C.B.
580-101261-01	CABLE TIE L=100MM 2- CRT PCB, '2'- FLYBACK, 2- CN301, 1- CN401, 1- CN402
580-101261-01	CABLE TIE L=100MM FOR POWER SWITCH P.C.B.
622-882802-00	FELT L240 X W17 X T0.5MM W/TAPE FOR REAR CAB.

** THIS SPARE LIST IS MADE FOR TECHNICAL / MAINTENANCE REFERENCE ONLY **

Print Date : 03/28/96 PRODUCT CODE : 9320T1-280002-TV
 Page Number : 16 DESCRIPTION : GT-9320A TEAC PAL/BG W/AV IN M.BLK 240V SAA "SGS IC"

Component Part	Description / Location
630-083216-00	FIBRE WASHER BETWEEN POWER SW. & MTG.BLK.
723-882101-00	MTG BRACKET FOR POWER SW.
737-143010-00	METAL WASHER OD=14 ID=3 T=1 FOR SPEAKER BOX
744-881301-00	SPRING FOR C.R.T. MOUNTING 5.2 X 42 X 0.6MM
746-063101-00	TEST PIN: TOTAL LENGTH 18.6MM THK:0.8MM TP103,104
750-063101-00	SOLDERING LUG LEG:8X4MM FOR HEAT SINK (A) & (B)
766-686801-00	FUSE HOLDER FOR F901
777-881301-00	SPRING IN 10 X L12 FOR POWER KNOB
780-931301-00	BRASS HEAT SINK FOR IC401
781-882001-02	ALUMINIUM HEAT SINK (B) FOR Q403
781-882102-02	ALUMINIUM HEAT SINK (A) FOR Q904
783-931301-01	SHIELD CAN
783-931302-02	SHIELD CAN COVER
834-230801-00	RUBBER WASHER OD=23 , ID=8 , T=1.0 FOR CRT MTG.
840-011024-21	PAD CORD L240 X W10 X T1 MM W/TAPE FOR BETWEEN CRT AND FRONT CAB.
840-051030-11	RUBBER PAD (ONE SIDE W/TAPE)
840-051520-11	RUBBER PAD (ONE SIDE W/TAPE)
896-882101-00	POWER BOARD COVER (UL)
929-881301-00	LED HOLDER BKT FOR LED 601
939-881302-00	POWER SWITCH ADAPTOR
954-882100-00	AC LINE CORD CLIP
954-892001-00	HIGH VOLTAGE SPACER FOR CRT
954-932901-00	CRT MOUNTING INSERT (HIGH = 22MM) FOR FRONT CAB.
977-882001-01	PUSH BUTTON - BLACK MOULDED



- NOTE:**
- ALL CAPACITORS ARE IN μF UNLESS OTHERWISE NOTED.
 - ALL CAPACITORS ARE 50V UNLESS OTHERWISE NOTED.
 - CAPACITORS NOT SPECIFICALLY DESIGNATED ARE CERAMIC CAPACITORS.
 - ELECTROLYTIC CAPACITOR.
 - BIPOLAR ELECTROLYTIC CAPACITOR.
 - TANTALUM CAPACITOR.
 - MILYAR CAPACITOR.
 - METALLIZED POLYESTER.
 - POLYESTER FILM CAPACITOR.
 - POLYPROPYLENE CAPACITOR.
 - ALL RESISTORS ARE IN Ω UNLESS OTHERWISE NOTED.
 - RESISTORS NOT SPECIFICALLY DESIGNATED ARE CARBON FILM RESISTORS.
 - CARBON COMPOSITION RESISTOR.
 - METAL OXIDE RESISTOR.
 - CEMENT RESISTOR.
 - FUSIBLE RESISTOR.
 - TERMINATOR.
 - DC VOLTAGE ARE MEASURED FROM POINTS INDICATED TO THE CIRCUIT GROUND WITH A DIGITAL MULTIMETER TEST.
 - WAVEFORMS ARE TAKEN WITH SETTING CONTROLS TO A NORMAL POSITION (COLOR BAR PATTERN).
 - THIS CIRCUIT DIAGRAM IS SUBJECT TO CHANGE WITHOUT PRIOR NOTICE. ON THE SCHEMATIC SHOULD BE REPLACED WITH EXACT MANUFACTURER RECOMMENDED PARTS.

